



Project Name: _____
 Date: _____
 Location: _____
 Type: _____
 Model Number: _____
 Quantity: _____
 Prepared By: _____
 Comments: _____

Description

The Lumen Logic™ Mini Brass 12V Spotlight is the perfect solution for affordable and stylish landscape lighting. Its compact size makes it easy to hide and blend into your landscaping while its adjustable glare guard and knuckle with teeth allow for precise aiming. With the adjustable glare guard and knuckle, this spotlight is perfect for highlighting smaller niche applications such as planters, small garden beds, or small architectural features.



Specifications

Materials

Construction	Solid Brass
Finish	Bronze
Lead Wire	4' 18AWG, SPT-1
Lens	Flat Clear Glass
Mounting	9" PVC Stake

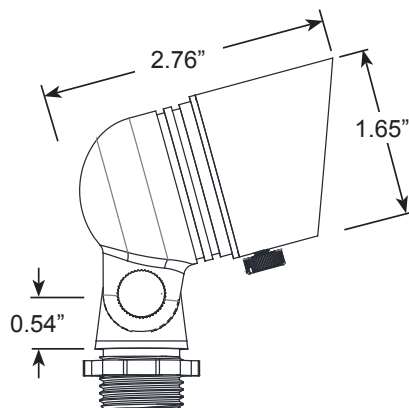
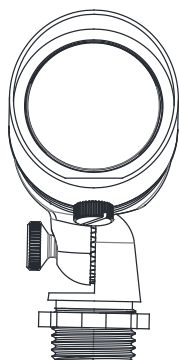
Installation

Orientation	Directed upwards only
-------------	-----------------------

Certifications

Certifications	UL & cUL listed
Warranty	Lifetime

Dimensions



Notes

1) Information provided is subject to change without notice. All values are design or typical values when measured under laboratory conditions.
 2) Incandescent Equivalent: The incandescent equivalent as presented is an approximate number and is for reference only.