

INSTALLATION INSTRUCTIONS Low Voltage Landscape Lighting

**MR11 Mini Spotlight
Brass with Bronze finish & 4' lead**

BDL-2015-4-BBZ-MR11-LL

BDL-2015-4-BBZ-LL

Specifications and product details subject to change without notice.

Important: Please Read Before Installation

This luminaire is intended for installation in accordance with local codes and the National Electric Code (NEC). Failure to adhere to these codes and instructions may result in serious injury, property damage and void the warranty.

These instructions do not intend to cover all variations in installation, operation maintenance or mounting situations.

1. Make sure that the power is turned OFF before installing or servicing this luminaire.
2. **WARNING:** risk of electrical shock. Install all luminaires 10 feet (3.05M) or more from pool, spa or fountain.
3. This luminaire is intended to be used only with a power supply (transformer) rated maximum of 300 watts (25 AMPS) at 15 volts.
4. Wiring connections must be made with UL listed wire connectors that are suitable for outdoor use.
5. Position the low voltage wire and wire connector so that it is located within 6 inches (15.2 cm) from a building structure, a luminaire or fitting.
6. The main low voltage cable is intended for shallow burial - less than 6 inches (152 mm).

Important Safety Instructions

INSTRUCTIONS PERTAINING TO A RISK OF FIRE, OR INJURY TO PERSONS **Lighted lamp is HOT!**

WARNING - TO REDUCE THE RISK OF FIRE OR INJURY TO PERSONS.

1. Turn off/unplug and allow to cool before replacing lamp.
2. Lamp gets **HOT** quickly! Contact only switch/plug when turning on.
3. Do not touch the hot lens, guard or enclosure.
4. Keep lamp away from materials that may burn.
5. Do not touch lamp at any time. Use a soft cloth. Oil from skin may damage lamp.
6. Do not operate the luminaire fitting with a missing or damaged shield.

SAVE THESE INSTRUCTIONS

Package Contents

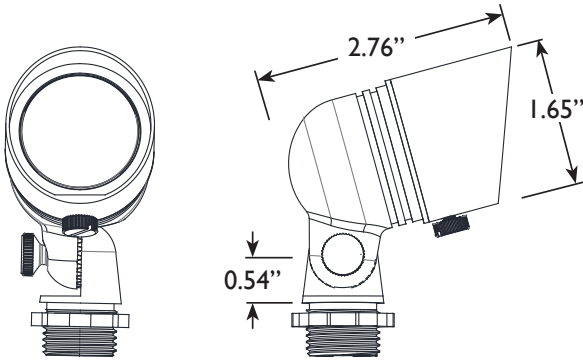
A. (1) Fixture

Parts Required (sold separately)

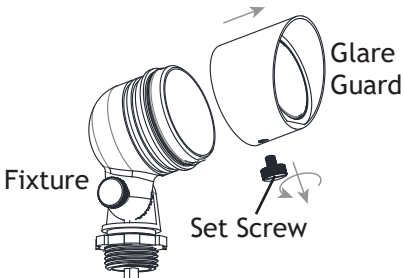
A. Mounting Accessory

B. MR11 Lamp

Product Dimensions

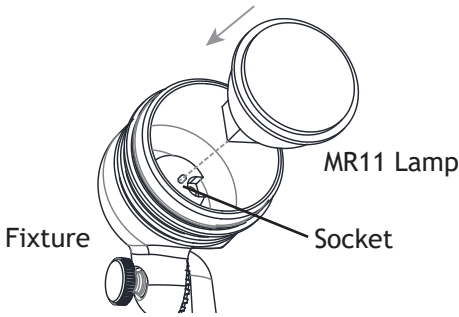


1 Remove Glare Guard



Loosen the set screw and remove the glare guard from the fixture.

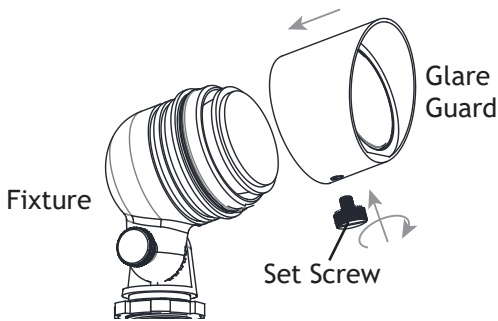
2 Install MR11 Lamp



Insert the MR11 lamp with correct wattage and type marked on fixture label.

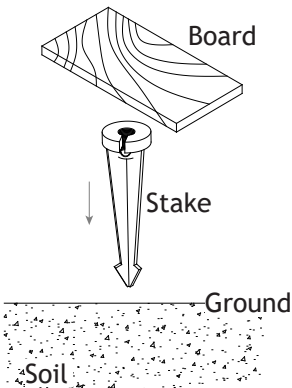
CAUTION: Do not exceed maximum wattage marked on luminaire label.

3 Install Glare Guard



Place the glare guard back onto the fixture and secure with previously removed set screw.

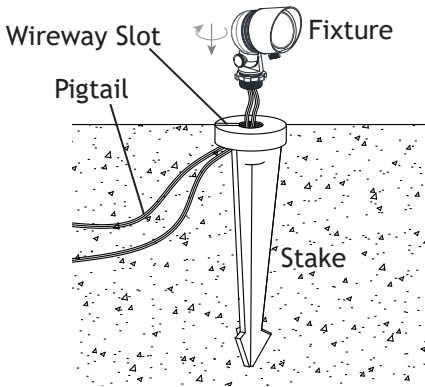
4 Install Stake



Determine the desired location for mounting the fixture. Hammer the stake into the ground until flange of stake is flush to grade. To avoid damage to the stake, place a board on top of the stake while hammering.

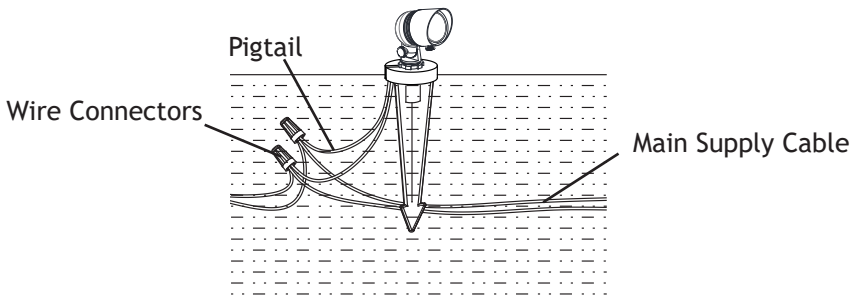
NOTE: If the ground is hard and the stake is difficult to install, make a crosscut in the ground using a flat shovel.

5 Install Fixture to Stake



Clear away an area in the ground at the wireway slot on top of the stake. Lay the luminaire pigtail into the wireway slot and screw the fixture on to the stake. Tighten until snug.

6 Wire Connection



Strip both the leads from the luminaire pigtail. Using two UL listed wire connectors (sold separately), connect the leads from the luminaire to the main supply cable leads.

Install/Replace MR11 Lamp

Repeat step 1-3 to replace the MR11 lamp. Make sure the lamp is the correct wattage and type marked on the fixture label.

IMPORTANT: MR11 Lamp must be protected from moisture and dust at all times. Always re-install the glare guard when removed.

INSTALLATION INSTRUCTIONS

Low Voltage Landscape Lighting

Specifications and product details subject to change without notice.