



Project Name: _____
 Date: _____
 Location: _____
 Type: _____
 Model Number: _____
 Quantity: _____
 Prepared By: _____
 Comments: _____



Description

The Lumen Logic™ LogiSpot II accent light is a robust brass up-light designed for LED MR16 bulbs. It features toolless adjustability for easy installation with interlocking teeth on the knuckle that help lock it in place for precision aiming of the light output. It comes with a lifetime warranty.

Specifications

Materials

Construction	Cast Brass
Finish	Bronze
Lead Wire	25' 18AWG, SPT-1
Lens	Flat Clear Glass
Mounting	9" PVC Stake

Photometrics

Light Source	LED 5 Watt MR16
Light Output (Lumens)	250 Lumens
Beam Angle	38°
Color Temperature (CCT)	2700K
Color Rendering Index (CRI)	>80
Lamp Life (L70)	40,000 Hours

Electrical

Energy Consumption (watts)	5.0 Watts
Power Factor	0.66
Operating Voltage Range	12-15 Volts
Power Supply	Low Voltage Transformer

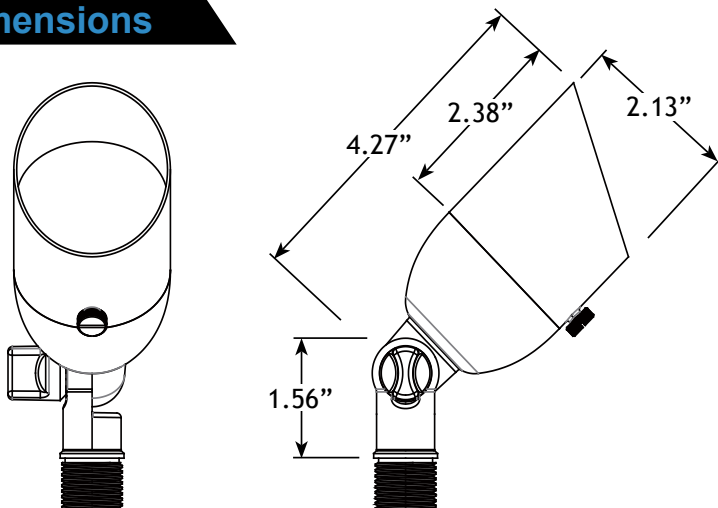
Installation

Orientation	Directed upwards only
-------------	-----------------------

Certifications

Certifications	UL & cUL listed
Warranty	Lifetime

Dimensions



Notes

1) Information provided is subject to change without notice. All values are design or typical values when measured under laboratory conditions.
 2) Incandescent Equivalent: The incandescent equivalent as presented is an approximate number and is for reference only.